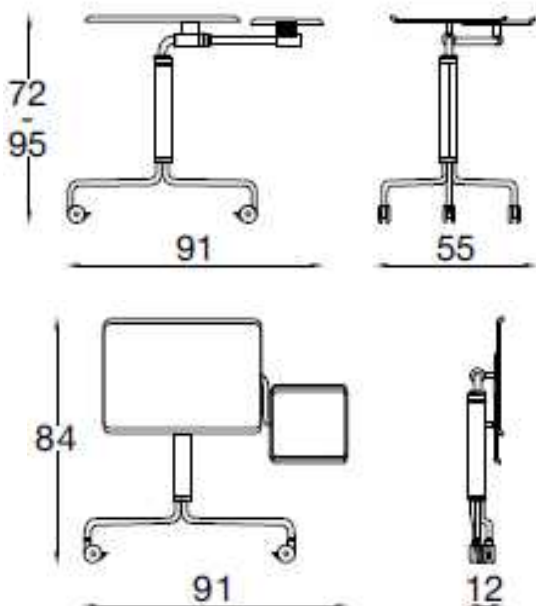


Altek®

ARCHIMEDE design Leonardo Rossano



Archimede

Laptop caddy with two tabletops in wood or methacrylate polymer and stainless steel structure. The two tabletops are independently adjustable. Structure: Legs in mat chrome steel • stainless steel column • gas lift • soft rubber wheels, two of which with lock lever. Tabletop: Veneer oak-wood stained in wengè or bleached oak finish; Methacrylate polymer available in finish satin white or glossy orange.

gross weight: kg. 14,4
net weight: kg. 10,7
vol.: 0,16 m3.