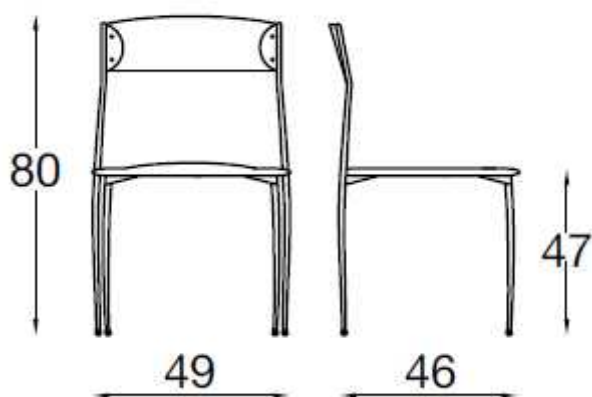


Altek®

BABA design Sergio Mian



Baba Chair Aluminum

Stacking chair - Aluminum tube structure with conic legs D. 25 mm., Thickness 2 mm., aluminum + transparent painted with seat and back in anodized aluminum.

overall height: 80 cm

seat height: 47 cm

width: 49 cm

depth: 46 cm

gross weight: kg. 4

net weight: kg. 3.5

vol.: 0.28 m3.