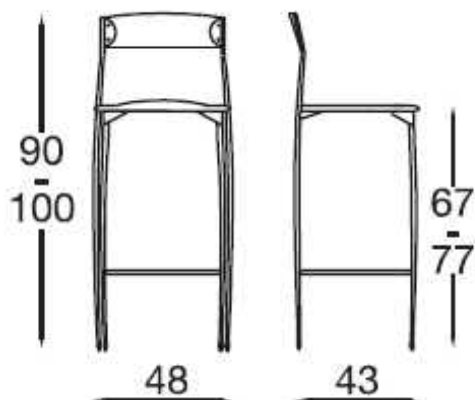


Altek®

BABA design Sergio Mian



Baba Stool Methacrylate

With steel tube structure D. 25 mm., Thickness 1,5 mm., with conic legs chrome or painted-seat and back in methacrylate polymer available in colours: white satinè, clear, blue satinè, red glossy, orange satinè, smoke glossy.

overall height: 90 / 100 cm

seat height: 67 / 77 cm

width: 48 cm

depth: 43 cm

gross weight: kg. 5.5 / 6

net weight: kg. 4.5 / 5

vol.: 0.3 m3.