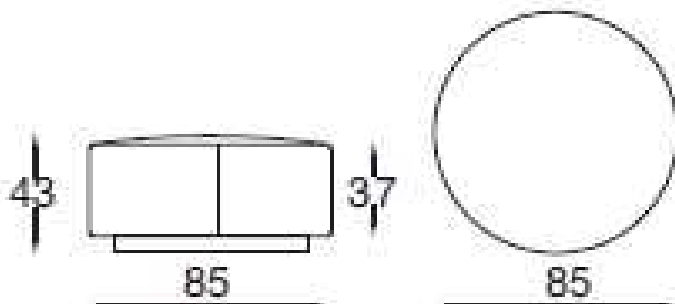


# Altek®

*GALLERY design Sergio Bicego*



**Gallery  
9POUF01 Pouf**

*Modular element code 9POUF01.  
Solid wooden structure and brushed  
aluminum base.  
Seat and back upholstered in synthetic  
leather, velvet, real leather or COM..*

**overall height:** 43 cm  
**diameter:** 85 cm  
**width:** 85 cm  
**gross weight:** kg. 32.3  
**net weight:** kg. 30  
**vol.:** 0.48 m3.