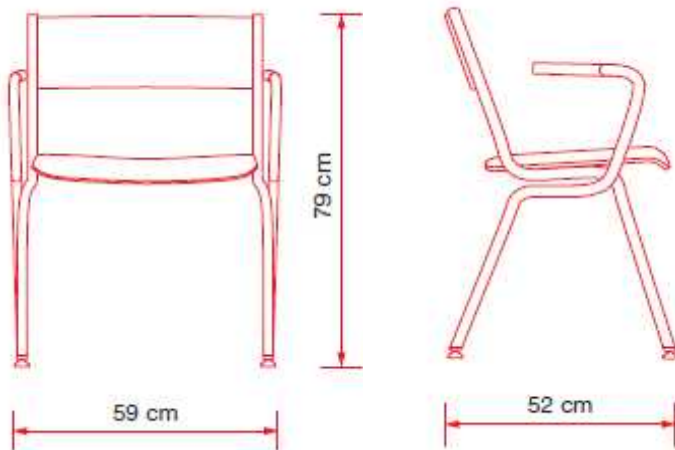


# Altek®

**VERTIGO COLLECTION** design dai Zurich



### **Vertigo LV01**

*Stacking armchair stacks 10 high.  
Steel tube structure in chrome or mat  
chrome or aluminum painted finish.  
Beech-wood seat and back in natural or  
lacquered in black.  
Optional: upholstered seat and back in  
fabric. Accessories: connecting device  
with numbers, connecting device with  
top, folding writing tablet.*

**height:** 79 cm  
**width:** 59 cm  
**depth:** 52 cm  
**gross weight:** kg. 8  
**net weight:** kg. 7  
**vol.:** 0.33 cbm