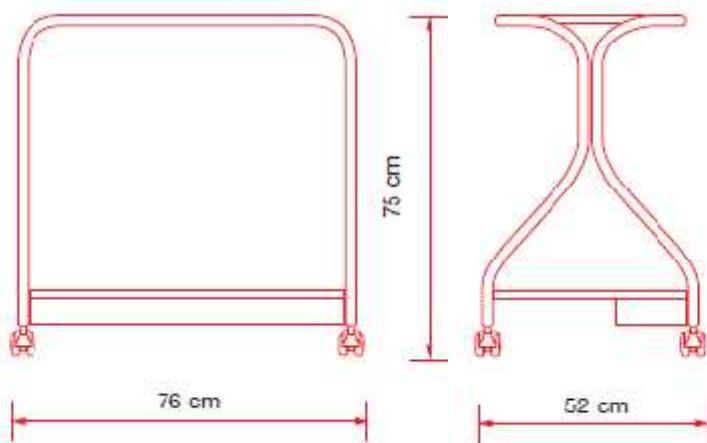


# Altek®

**VERTIGO COLLECTION** design dai Zurich



### **Vertigo LV64**

*Multipurpose swivel cart with drawer for the cables.*

*Anodised aluminum structure with steel shelves and drawer painted in black scratch-proof color.*

**height:** 75 cm  
**width:** 52 cm  
**depth:** 76 cm  
**gross weight:** kg. 12  
**net weight:** kg. 10