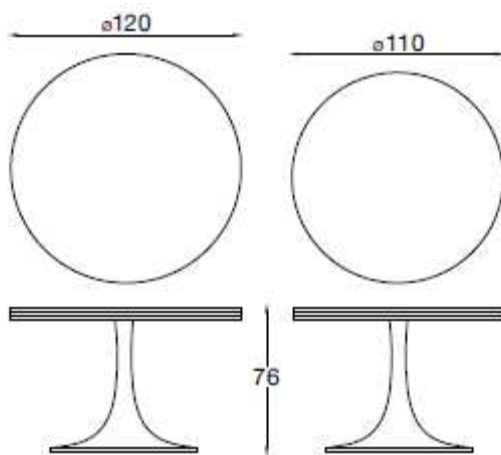


Altek®

GRAAL design Vittorio Baggio



Graal

Table with aluminium anodised goblet base, aluminium anodised top thickness 80 mm.

Top Diameter: 110 cm

Top Diameter: 120 cm

Overall height: 76 cm

Packing: 1 base into wooden crate + 1 top per carton and then over pallet

Net Weight of table w/top 110 cm:
34,50 Kg.

Gross Weight of table w/top 110 cm.:
66,00 Kg.