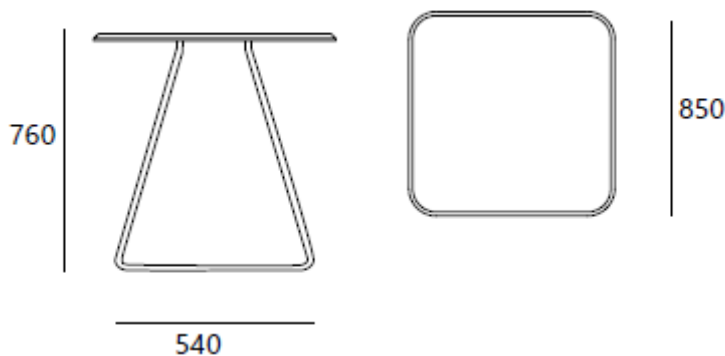


Altek®

LEVANTE Dining table design Stefano Esposito



Levante dining table

with structure in rod iron powder coated in black hammered finish or other RAL colours. Top in veneer plywood Canaletto walnut finish or in laminate available in several finishes. Size of the top 850x850 mm.

height bar table: 1060 mm

width: 850 mm

base width: 540 mm

depth: 850 mm

packing: 1base per carton + 1 top per cartone

vol.: 0.42 cbm