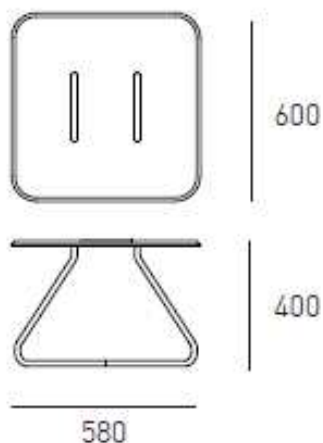


Altek®

LEVANTE Occasional low table design Stefano Esposito



Levante occasional low table
with structure in rod iron powder coated in black hammered finish or other RAL colours. Top in metal powder coated covered with another top in veneer walnut canaletto wood. The wooden top is removable and it can be used as a tray. Size of the top 600x600 mm.

height: 400 mm
width: 600 mm
base width: 580 mm
depth: 600 mm
packing: 1 per carton
vol.: 0.20 cbm