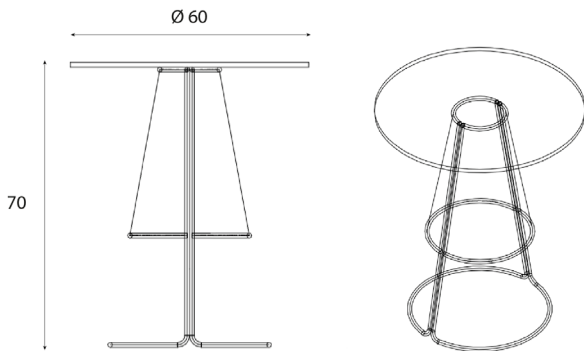




Quizas dining table 2 legs

Round dining tables two legs with structure in rod iron diam. 12 mm. and welded wire mesh, zinc plated and painted in several RAL colours. Top available in several finishes.



Overall height: 700 mm / 27.5 inch

Top diameter: Ø 600 mm / 23.6 inch